



EoL

END OF LINE

2410ISS INTERMITTENT SIDE SEAL WRAPPER



With exclusive Versa Seal side seal to insure consistent, high quality seals

The 2410ISS is Texwrap's intermittent motion side seal machine designed to run large products at moderate speed. A new version of the 2602, it has a capacity of 24" wide and 10" tall. The 2410ISS is versatile enough to accommodate a variety of product sizes and configurations.

The 2410ISS uses Texwrap's exclusive Versa Seal side seal to insure consistent, high quality seals across a wide range of film types. The TVS tightly clamps the film between parallel belts while a heating element seals and separates the film between them. The slightly diverging belts continue to clamp the film securely allowing the film seal to cure and, at the same time, assuring reliable scrap/trim separation. The belts on the TVS design also control film tension allowing consistent seals to be made using the absolute minimum film width possible saving money on every package.

FEATURES AND BENEFITS

- 36" hot knife cross seal with precision temperature control
- 11" cross seal jaw opening
- Calibrated adjustments for product set-up
- Self contained scrap wind-up
- Pin perforator/brush air evacuation system
- Independent exit conveyor speed control
- Automatic autospace tuning feature adjusts machine to match upstream production
- Product set-up helper
- Adjustable film inverting head with controlled air bearing surfaces
- Autospace multipack ability

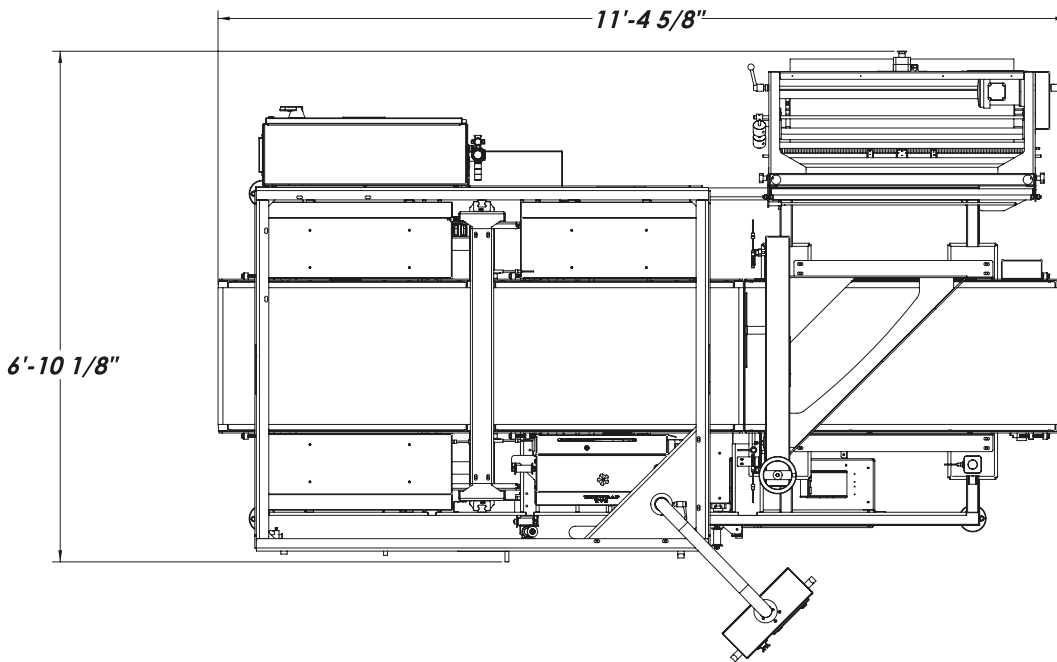
TYPICAL PRODUCT SPECIFICATIONS

Maximum Package Size	10"H x 24"W x infinite length
Minimum Package Size	4"L x 2"W
Electrical Requirements	240/208 Vac, 1 phase, 41 amps
Conveyor Height	Adjustable from 32.5" to 38.5"
Air Requirements	80 PSI

Machine Controls	Allen Bradley
Maximum Film Width	36" centerfolded
Maximum Film Speed	100 FPM
Operator Control Panel	Swivel access, swivel mounted

**Specifications on all machines subject to change without notice. Some information may have been updated since the time of publication.*

CONFIGURATION



MORE ABOUT THE 2410ISS

Flexibility and ease-of-use are hallmarks of Texwrap design. With standard autospacing control, horizontal as well as vertical photoeyes, and the ability to precisely vary the conveyor speeds to relax the film between products, the 2410ISS can accommodate randomly fed or choke-spaced product and accurately separate them for reliable, consistent packages using the absolute minimum amount of film.